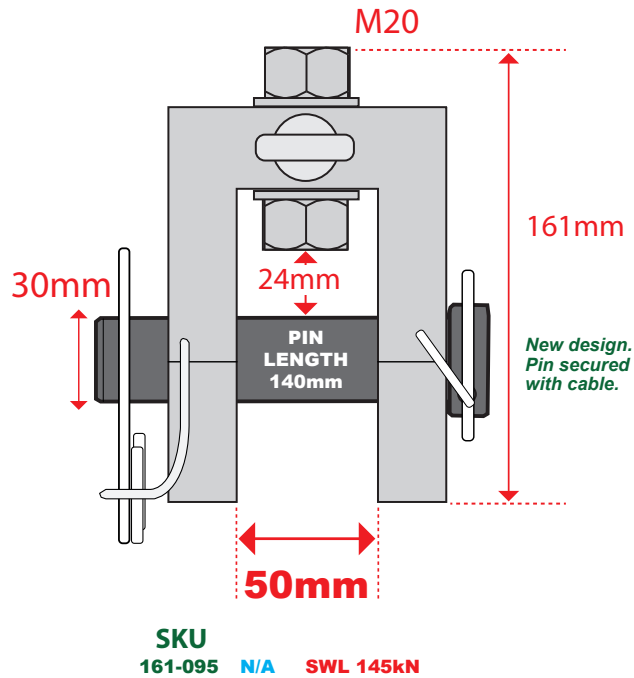
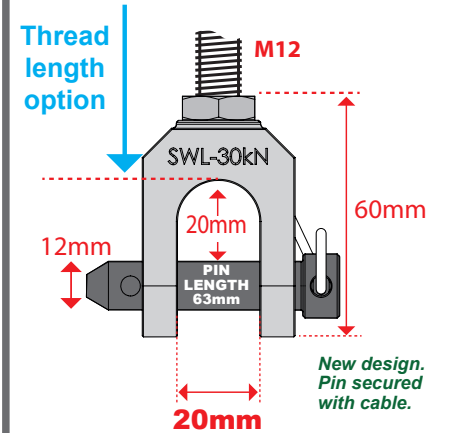
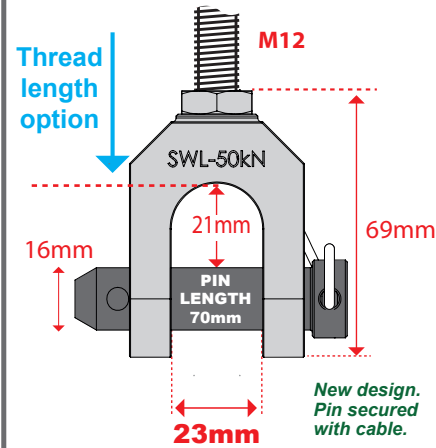
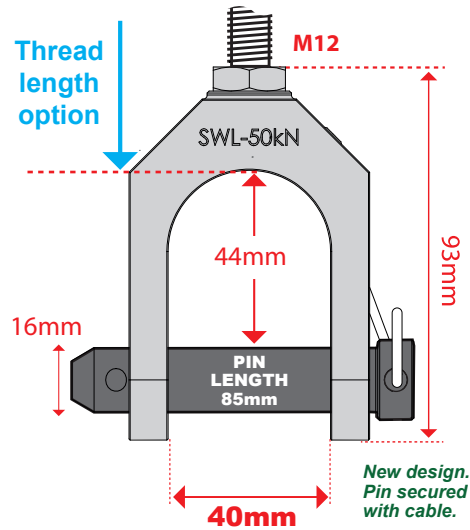


M2008 / Hydraulic M20 HEAVY DUTY CLEVIS



M2000/M2050 Range M12 CLEVIS ADAPTOR



Key:



= Threadpiece length

SKU = stock keeping unit

SWL = Safe Working Load