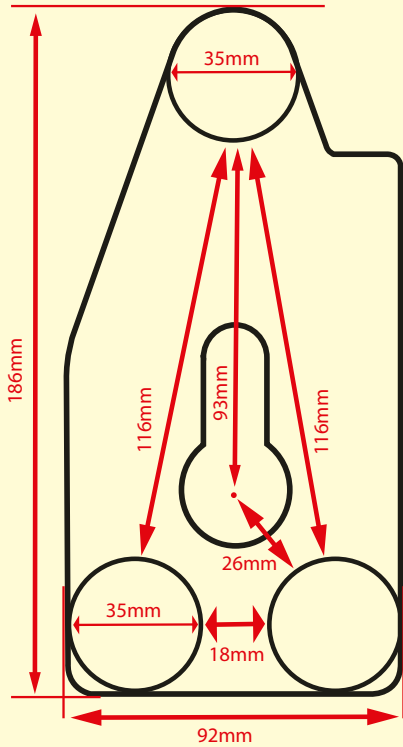


2020 Telescopic Load Spreading Bridge

The new 2020 Telescopic Load Spreading Bridge is our new bridge for the M2000 tester.



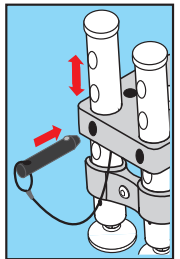
2020 BRIDGE FOOTPRINT



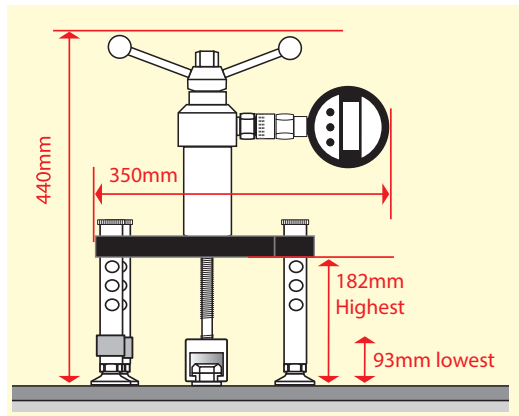
M2020 BRIDGE FEATURES



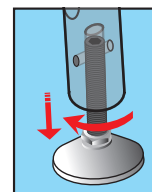
Telescopic legs for quick and easy height adjustment.



Level bubbles for bridge levelling.



Leg brace to give the tester vital balance and rigidity when under load.



Fine height adjustment using feet.

For more information contact Hydrajaws Limited or go to www.hydrajaws.co.uk