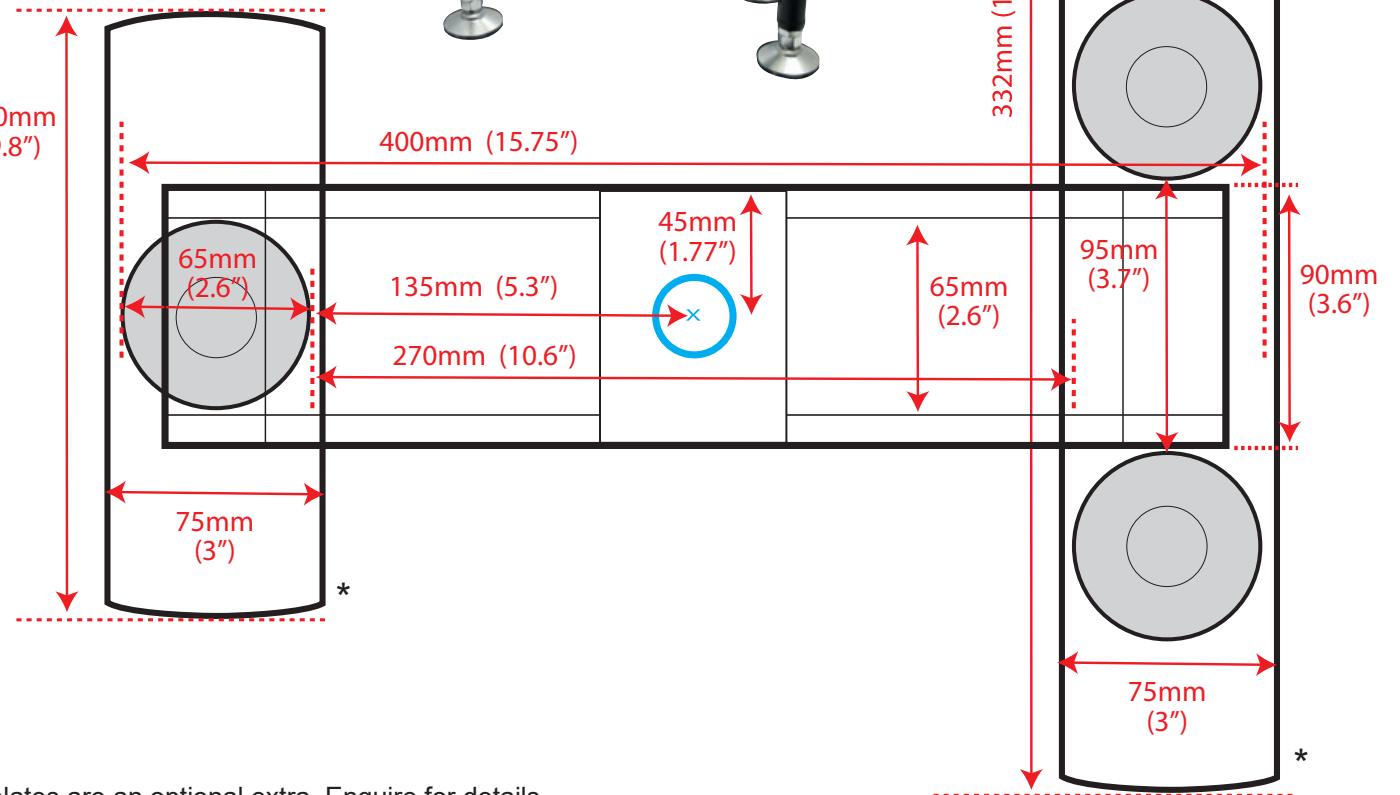
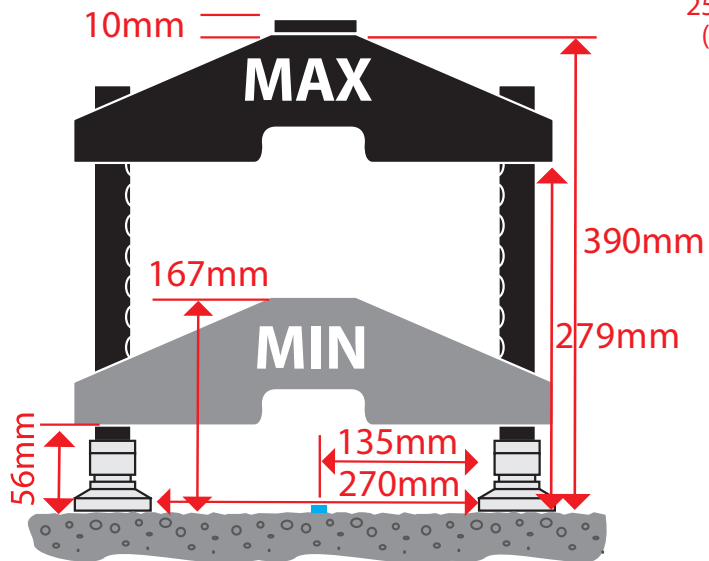


270mm Telescopic Load Spreading Bridge Footprint



*Note: Foot plates are an optional extra. Enquire for details.