


Oil Refilling for older testers

Instructions (pre 2011)

Connecting and disconnecting Gauges from the Tester body will eventually use up the spare oil capacity and will not allow the tester plunger to travel it's full stroke or give an accurate reading on the Gauge.

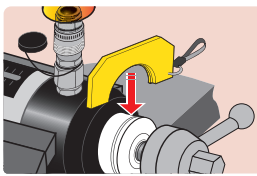
 **Note:** It is not necessary to replenish oil if the gauge is a fixed assembly.

To replenish the oil level:

1. Remove the bridge and all accessories.
2. Secure the tester (e.g. in a bench vice or other suitable holding device if on-site) with the coupler in the vertical position.
3. Connect the oil bottle via the quick release coupler.
4. Loosen bottle cap marginally to allow air flow (fig 1).
5. Turn the handle anti-clockwise a few turns then attach a parallel clamp to the piston (fig 2). If none of the piston is exposed then please see 'Oil refilling method 2'  document.
6. Expel any air out of the system by gently pushing the piston in fully then pull on the clamp and handle until 15mm away from the inside of the slot. This will draw oil from the bottle (fig 3).

 **Ensure not to pull the piston out further than 15mm.**

7. Smoothly push the piston back in fully, pull out again and repeat until all the air bubbles are expelled into the bottle. Pull out the piston one more time to 15mm from the face of the capsule to replenish the oil.
8. Tighten the bottle cap and remove the oil bottle.



Note: Testers manufactured after September 2011 are supplied with a piston key to aid pushing and pulling the piston. Check for a groove in the piston and insert the key. Ensure the piston key outer slot is nearer the piston body.



Recommended oil: Light Mineral DTE Type VISCOSITY 32



Fig 1

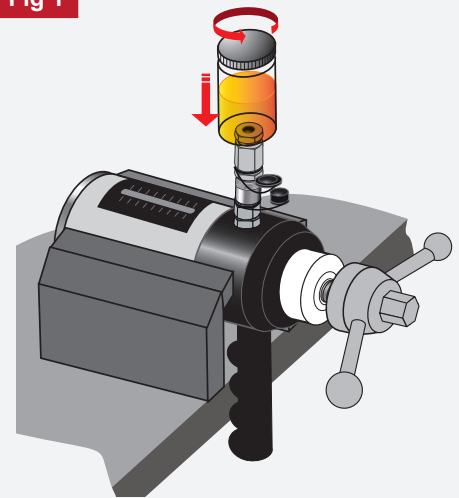


Fig 2

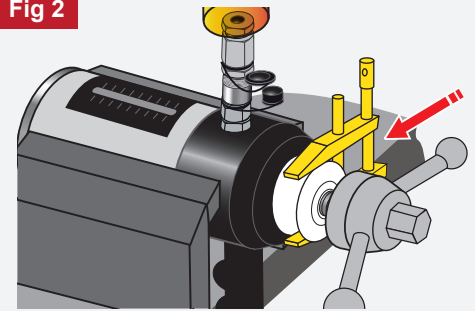


Fig 3

